

Housekeeping / Room attendant trolleys

Gulliver 650

All-in-one housekeeping happens unnoticed in the traveller's eyes



Standard equipment

- Anodised aluminium frame
- 1 drawer for amenities
- 3 levels for ranging clean linen
- 1 removable box for chemicals
- 2 doors (opening up to 270°)
- 1 horizontal steering handle
- 4 swivelling wheels Ø125mm with non-marking polyamide layer
- 4 swivelling corner pads for protection
- Compartments for stationery at inside doors

Technical info

- Net weight (without options): 41 kg
- Allowed weight per shelf: 35 kg

GULLIVER 650

Options

- Linear dividers or partitioning for amenities drawer
- Mop holder and hook
- Broom holder or vacuum cleaner hose holder
- Sliding tray for vacuum cleaner
- Crowbar



Mop holder and hook



Sliding tray for vacuum cleaner

GULLIVER 650

Finishes

Compact finishes



Wenge oak look

Ref xx = 11



Black caviar look

Ref xx = 14



Brown buffalo look

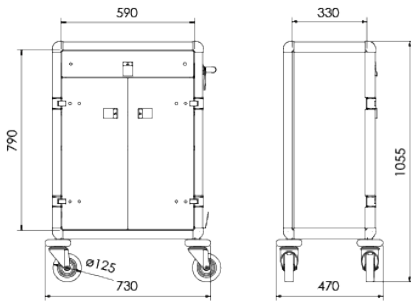
Ref xx = 16



Almond look

Ref xx = 17

Dimensions



GULLIVER 650

Overall dimensions

Width	Depth	Height	Wheels Ø
730 mm	470 mm	1055 mm	125 mm

Inside dimensions

Width	Depth
590 mm	330 mm

Reference

Base model
101603xx